



# METAL SHELL SERIES

## UNDERWATER ELECTRICAL DRY-MATE CONNECTORS

Metal Shell series represents an alternative to Circular series bulkhead connectors where an even more rugged, resilient and protected underwater connectivity solution is required.

Metal Shell series connectors are manufactured from stainless steel and are available in three different shell sizes compatible with industry standards. Flange mountable and bulkhead (male and female) connectors are available as standard equipment and connector configuration ranges from 2 to 12 contacts rated at 300 to 600 V up to 5 to 10 A. Metal Shell connectors are manufactured to mate with compatible standard inline and dummy connectors.

The connectors feature an integrated locking ring thread on the body and a stainless steel locking sleeve is used on all connectors. Metal Shell connectors come with numbered teflon (PTFE) leads and feature a high depth rating.

### Applications

- Mating rugged flange mounted connector's with inline harness cables and connectors
- Defence systems and equipment
- Remotely Operated Vehicle (ROV) systems
- Oceanographic systems, equipment and instrumentation solutions
- Underwater camera, video and lighting systems
- Ocean bottom cable and seismic systems
- Slip ring assemblies

### Options

- Customer specified connector body material
- Customised mating harness cables
- Customer specified cable, wire leads and bulkhead thread lengths
- Electromechanical stress terminations



# OUR ADVANTAGES



## EASY SOLUTIONS

ADAPTABILITY IS ONE OF OUR BEST QUALITIES IT PERMIT US TO COPE WITH YOUR REQUEST ON A SHORT NOTICE AND EFFECTIVELY.



## NO PRICE FIGHTS

WE ESCAPED THE CLASSICAL REBATE UNTIL YOU DROP " POLICY . WE ARE PRICE WISE SINCE THE BEGINNING



## HIGH LEVEL EXPERIENCE

OUR TECHNICAL CAPABILITIES HAVE BEEN TESTED FOR MORE THAN 30 YEARS AND IN DIRECT CONNECTION WITH END USERS . SO TO SAY



## ENDLESS INVESTIGATION

WE CONTINUOUSLY MEASURE EVERYTHING TEST . TEST AND TEST AGAIN . THIS HELPS UNDERSTAND RISKS AND REWARDS . AND BE PREPARED



## NO FORTUNE TELLER

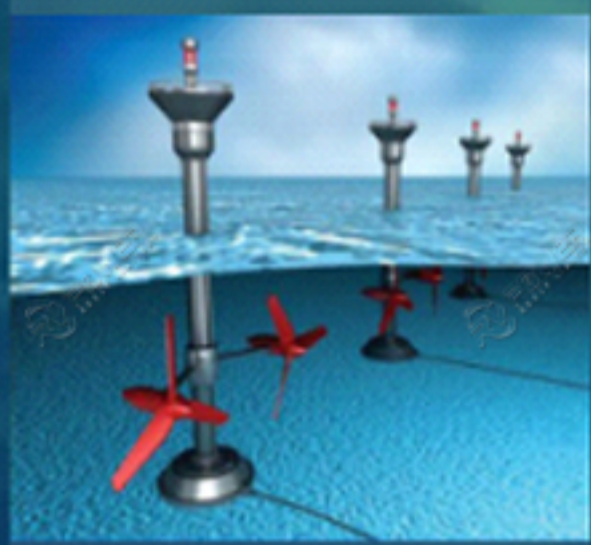
WE BASE OUR DECISIONS ON CLEAR BUSINESS PLANS , THINKING BEFORE MAKING OUR STEPS AND KEEPING A 'NOT TO DO' LIST FOR EVERY ONE OF THEM



## TEAM BUILDING

OUR TEAM IS MADE NOT ONLY BY OUR STAFF BUT IT INCLUDES ALSO ALL OUR CUSTOMERS WE ACT LIKE A TEAM WE GROW LIKE A TEAM WE WIN LIKE A TEAM

# APPLICATION



Marine Renewable Energies



Diving



Oil and Gas



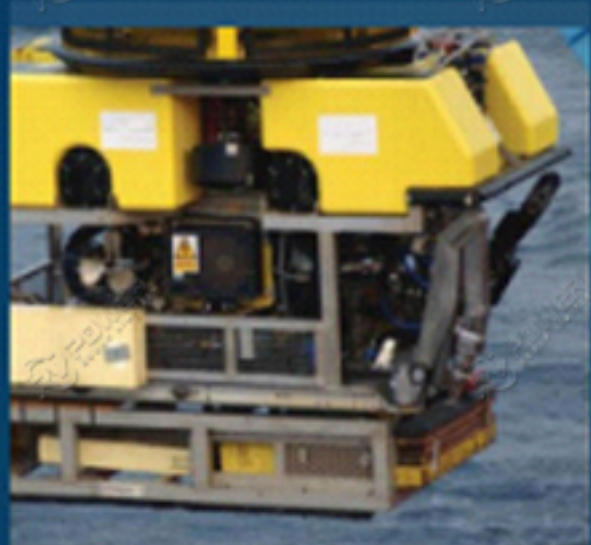
Towed Streamers



Submarines



Water Treatment



ROVs & AUVs



Vessels

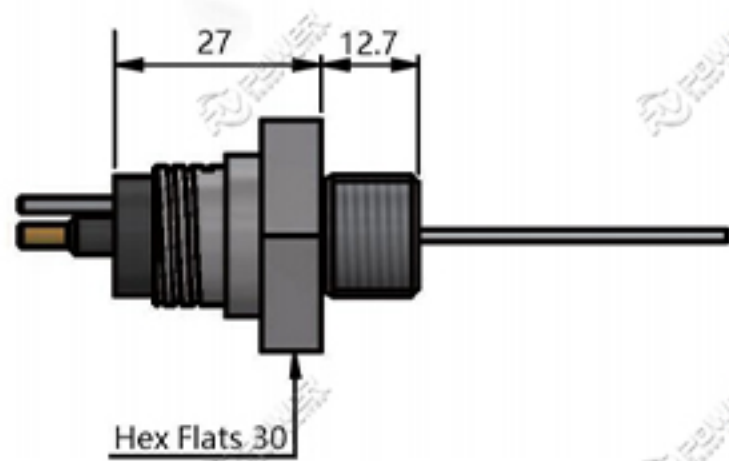
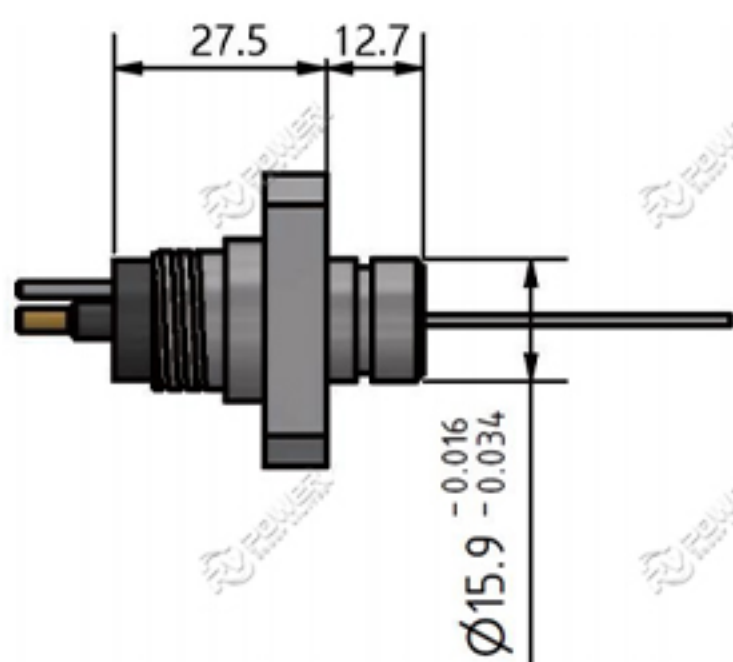
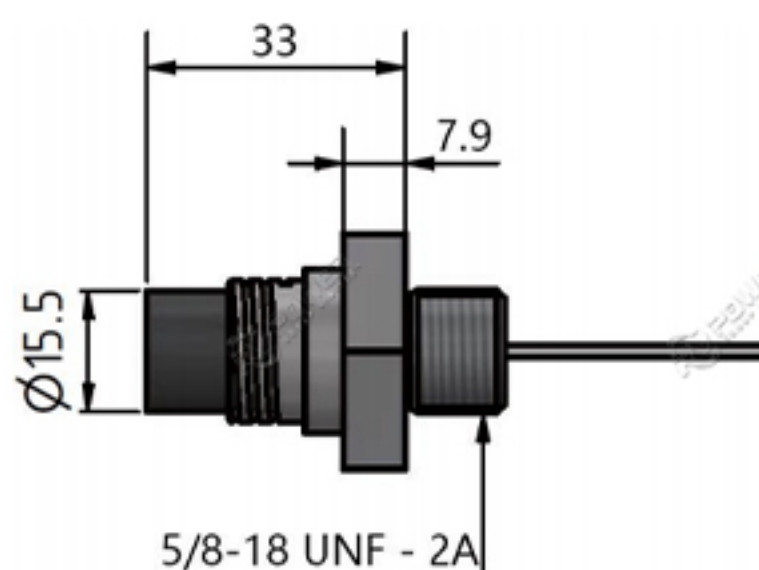
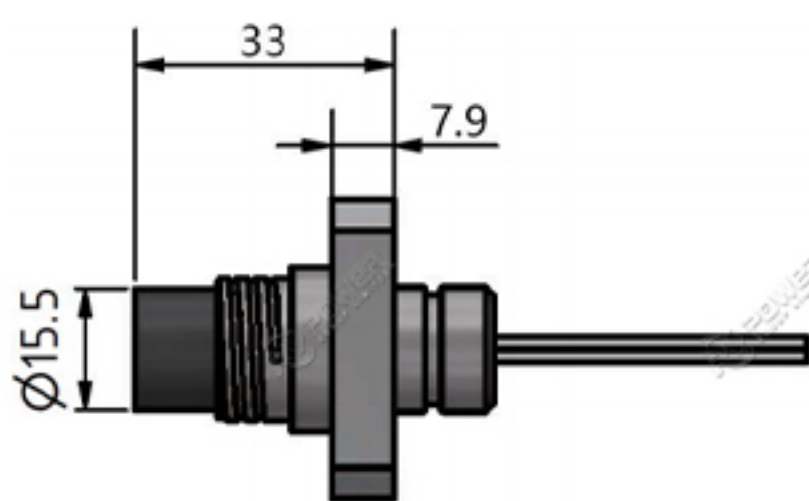


Geophysics

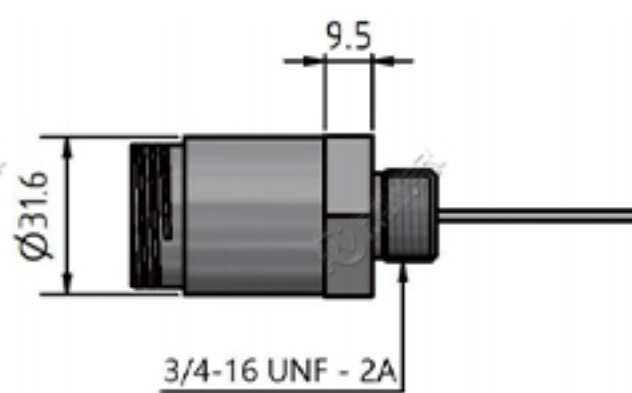
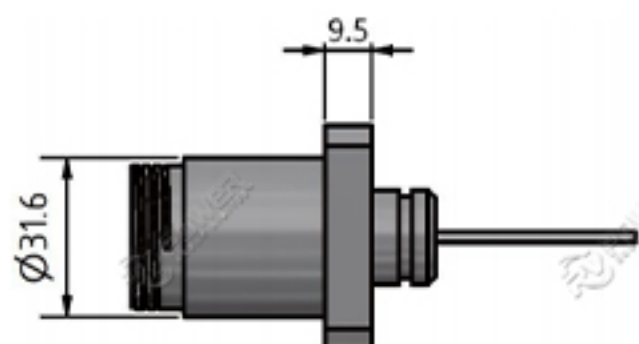
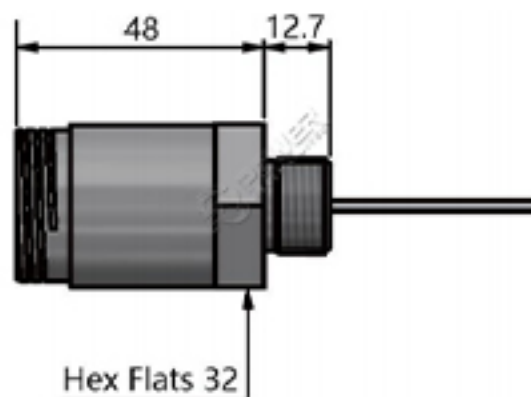
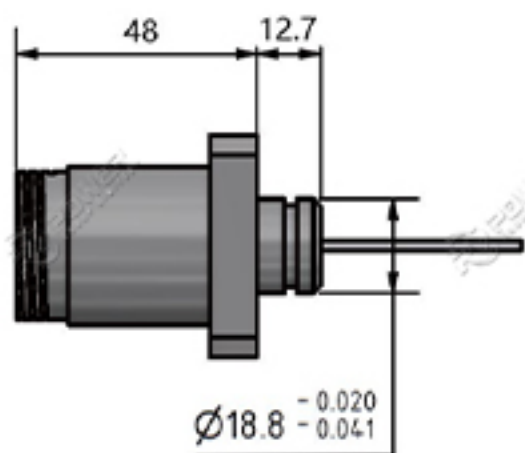
# PRODUCT MIX



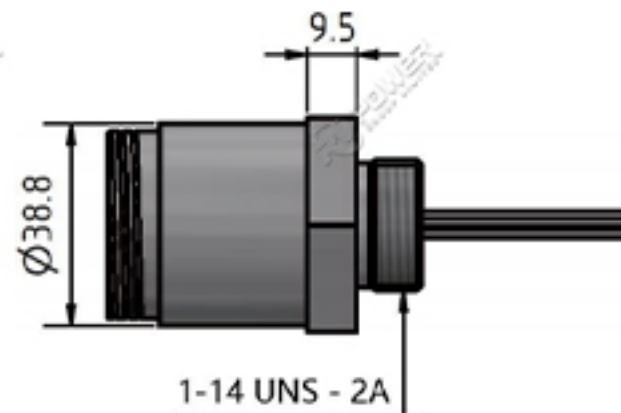
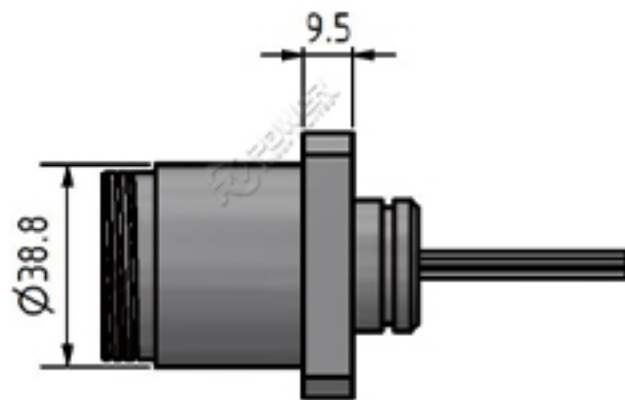
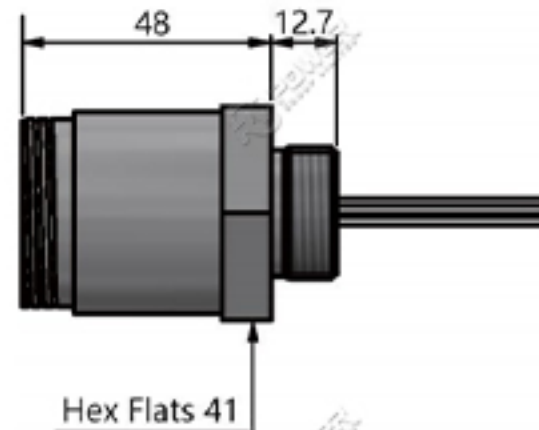
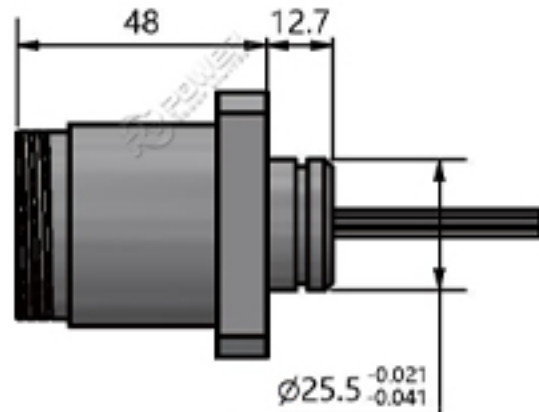
## METAL SHELL 1500 2,3,4,5,6 AND 10 CONTACTS



## METAL SHELL L2000 2,3,4,10 AND 12 CONTACTS



# METAL SHELL 2400 6,8 AND 10 CONTACTS



# SUBSEA CONNECTORS AND SUBSEA CABLES

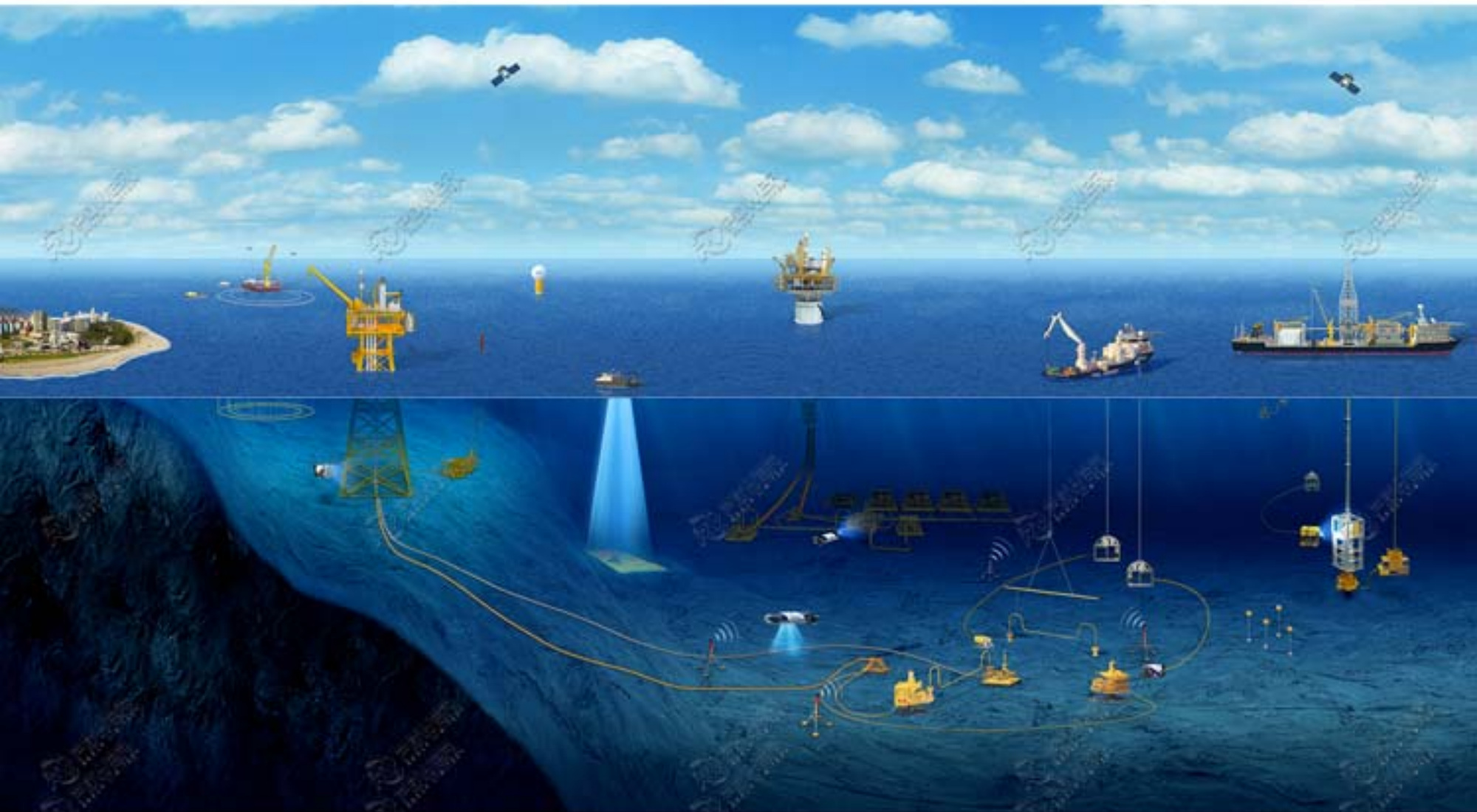
**RV POWER GROUP** is a underwater connector factory in China. We are a global supplier focusing on the ocean (marine) solution for underwater connectors and cables. Specializing in the design, manufacture, sales and service. If your project is in the design stage, we can provide engineering assistance with the professional advice. If your requirements are already specified and ready for quote, we will try our best to meet your deadlines and pricing targets and finally deliver the high-quality stable products as you need.

**RV POWER GROUP** subsea connectors and subsea cables are suitable for oceanographic systems, offshore oil and gas, defense systems, geo-seismic research, diving systems and equipment, ship projects, subsea survey, underwater instruments, mining equipment, underwater monitoring/inspection/observations, underwater data logger, subsea navigator, hydrography equipment, aquaculture farm and services inspection, underwater robotics like remote operation vehicles (ROV's & ROTV's) and autonomous Underwater Vehicles (AUV), and submarines, ship towed sonars and underwater acoustic devices, etc.

With the state-of-the-art technology and professional engineer team, we believe you find the right partner here with excellent service. In case you do not find a suitable solution within our standard range, please do not hesitate to contact us for customization.

# Underwater and harsh environment connectors

- Circular Series
- Micro Circular Series
- Low Profile Series
- Micro Low Profile series
- Ethernet Series
- Optical fiber and Power Series
- Power series
- Split Series
- Aviation plug Series
- Coax series
- Metal Shell series
- RMG Series
- 55 Series
- Specials Series
- Underwater PUR Cable
- ROV Tether Cable
- Additional accessories



# METAL SHELL SERIES UNDERWATER AND HARSH ENVIRONMENT CONNECTORS



# DETAIL DISPLAY



## ONE



Metal Shell series are available in three different shell sizes compatible with industry standards

## TWO

Metal Shell connectors are manufactured to mate with compatible standard inline and dummy connectors.



## THREE

Metal Shell connectors are 2 to 12 contacts rated at 300 to 600 V up to 5 to 10 A



## FOUR

available in bulkhead, in-line and field installable over-mould versions. All bulkhead connectors come with colour coded or numbered PTFE leads



## FIVE



dependable and rugged connectivity solution for underwater and harsh marine environment applications



**OIL RESISTANT**

---



**FLAE RESISTANT**

---



**HALOGEN FREE**

---



**COLD RESISTANT**

---



**ABRASION RESISTANT**

---



**OZONE RESISTANT**

---



**UV RESISTANT**

---



**MICROBE RESISTANT**

---



**MUD RESISTANT**

---



**WATER RESISTANT**

---

**OVER 20 YEARS**

OF SPECIAL CABLE AND CUSTOM-MADE CABLE / CONNECTORS MANUFACTURING

WE CAN TURN YOUR DESIGN INTO A REAL OBJECT.

# OUR TRANSPORTATION



# THANK YOU

---

FOR YOUR ATTENTION  
LOOK FORWARD TO COOPERATING WITH YOU



[www.underwaterconn.com](http://www.underwaterconn.com)



[sales@underwaterconn.com](mailto:sales@underwaterconn.com)



Jackiefanonline88



Tel:+86 18501648956



Whatsapp: +86-18501648956



specialcable