



# COAX SERIES

## UNDERWATER AND HARSH ENVIRONMENT CONNECTORS

Coax series is primarily used for facilitating the transmission of high-definition (HD) video signal within and between underwater systems and for interfacing HD video based equipment such as cameras and telemetry systems. The Coax connectors feature a high depth rating and fully harness the rugged quality. The Coax series embraces two primary connector models including a coax-only connector option and a combined coax and electric connector option with six electric contacts for handling power and signal on interfaced equipment. The latter option enables users to fully control and power equipment using only a single connector, hereby allowing for design optimisation of underwater systems. Both connector types are available with an impedance of 50 or 75 ohm.

### Applications

- Offshore oil and gas, renewable energy and subsea systems
- Defence systems and equipment
- Oceanographic systems, equipment and instrumentation solutions
- Remotely Operated Vehicle (ROV) and Remotely Operated Towed Vehicle (ROTV) systems
- Underwater camera, video and lighting systems
- Underwater telemetry systems
- Antenna applications
- Diving systems and equipment

### Options

- Customised harness cables and direct moulding to selected polyurethane (PUR) cables
- Customer specified cable, wire leads and bulkhead thread lengths
- Customer specified connector body material



strong  
x  
durable

# OUR ADVANTAGES



## EASY SOLUTIONS

ADAPTABILITY IS ONE OF OUR BEST QUALITIES. IT PERMIT US TO COPE WITH YOUR REQUEST ON A SHORT NOTICE AND EFFECTIVELY.



## NO PRICE FIGHTS

WE ESCAPED THE CLASSICAL "REBATE UNTIL YOU DROP" POLICY. WE ARE PRICE WISE SINCE THE BEGINNING.



## HIGH LEVEL EXPERIENCE

OUR TECHNICAL CAPABILITIES HAVE BEEN TESTED FOR MORE THAN 30 YEARS AND IN DIRECT CONNECTION WITH END USERS. SO TO SAY.



## ENDLESS INVESTIGATION

WE CONTINUOUSLY MEASURE EVERYTHING. TEST, TEST AND TEST AGAIN. THIS HELPS US UNDERSTAND RISKS AND REWARDS, AND BE PREPARED.



## NO FORTUNE TELLER

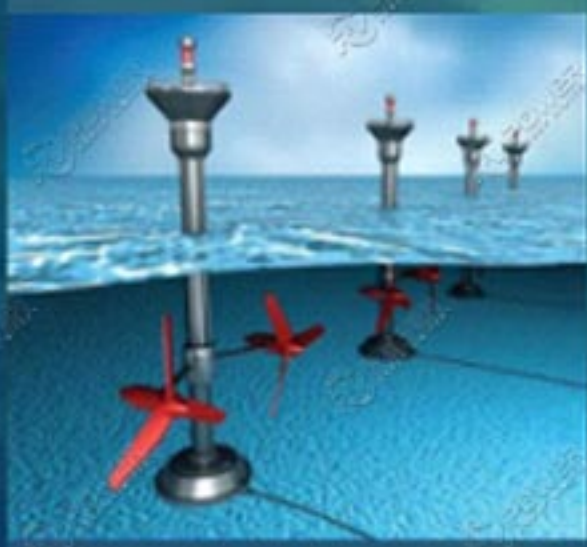
WE BASE OUR DECISIONS ON CLEAR BUSINESS PLANS, THINKING BEFORE MAKING OUR STEPS AND KEEPING A 'NOT TO DO' LIST FOR EVERYONE OF THEM.



## TEAM BUILDING

OUR TEAM IS MADE NOT ONLY BY OUR STAFF BUT IT INCLUDES ALSO ALL OUR CUSTOMERS. WE ACT LIKE A TEAM. WE GROW LIKE A TEAM. WE WIN LIKE A TEAM.

# APPLICATION



Marine Renewable Energies



Diving



Oil and Gas



Towed Streamers



Submarines



Water Treatment



ROVs & AUVs



Vessels



Geophysics

strong  
×  
durable



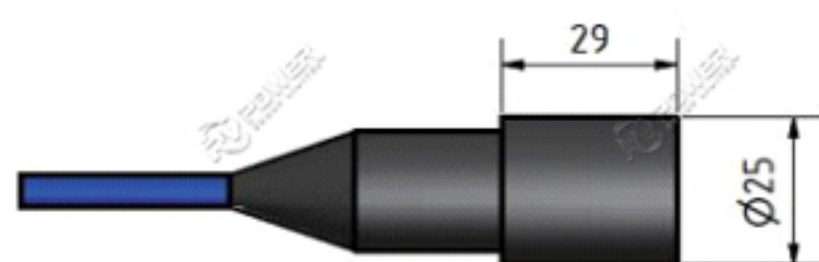
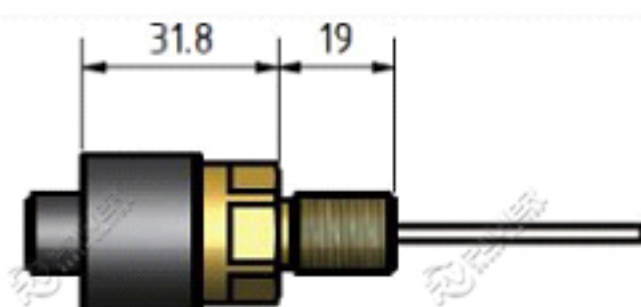
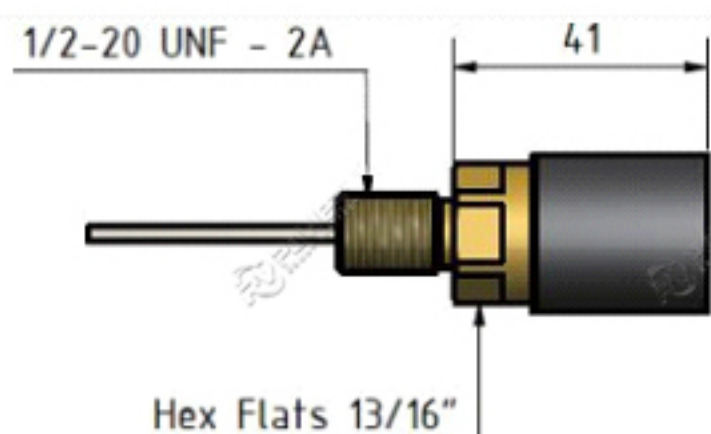
# PRODUCT MIX



## 50 / 75 OHM COAX SERIES CONNECTOR



## HF COAX - 50/75 OHM COAX AND COAX/ELECTRIC





# SUBSEA CONNECTORS AND SUBSEA CABLES

RV POWER GROUP is a underwater connector factory in China. We are a global supplier focusing on the ocean (marine) solution for underwater connectors and cables. Specializing in the design, manufacture, sales and service. If your project is in the design stage, we can provide engineering assistance with the professional advice. If your requirements are already specified and ready for quote, we will try our best to meet your deadlines and pricing targets and finally deliver the high-quality stable products as you need.

RV POWER GROUP subsea connectors and subsea cables are suitable for oceanographic systems, offshore oil and gas, defense systems, geo-seismic research, diving systems and equipment, ship projects, subsea survey, underwater instruments, mining equipment, underwater monitoring/inspection/observations, underwater data logger, subsea navigator, hydrography equipment, aquaculture farm and services inspection, underwater robotics like remote operation vehicles (ROV's & ROTV's) and autonomous Underwater Vehicles (AUV), and submarines, ship towed sonars and underwater acoustic devices, etc.

With the state-of-the-art technology and professional engineer team, we believe you find the right partner here with excellent service. In case you do not find a suitable solution within our standard range, please do not hesitate to contact us for customization.

# Underwater and harsh environment connectors

Circular Series

Micro Circular Series

Low Profile Series

Micro Low Profile series

Ethernet Series

Optical fiber and Power Series

**power series**

**split series**

Aviation plug Series

Coax series

Metal Shell series

RMG Series

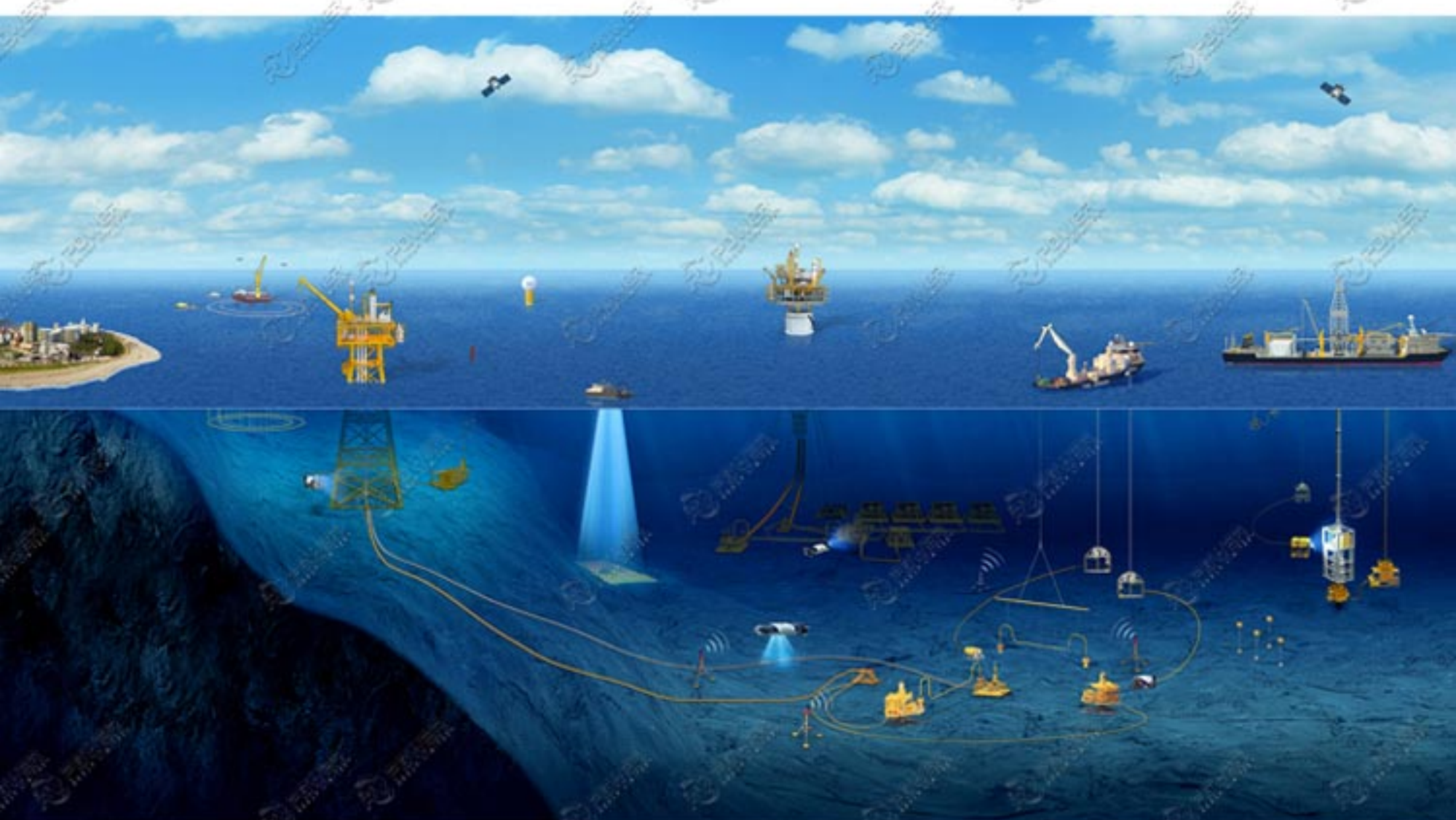
55 Series

Specials Series

Underwater PUR Cable

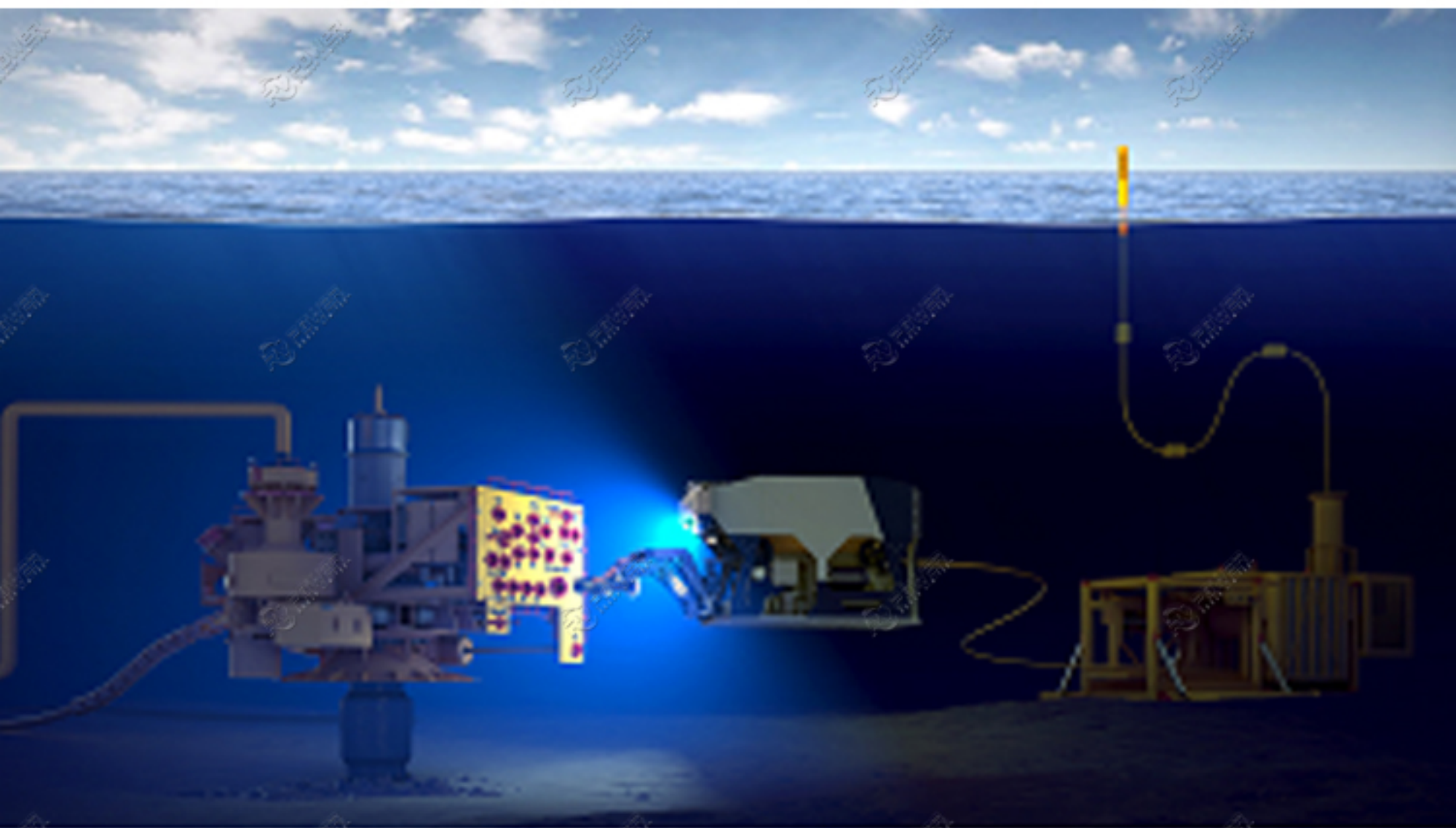
ROV Tether Cable

Additional accessories



# COAX SERIES

## UNDERWATER AND HARSH ENVIRONMENT CONNECTORS



strong  
x  
durable



# DETAIL DISPLAY



**ONE**

used for facilitating the transmission of high-definition (HD) video signal

**TWO**

The connector types are available with an impedance of 50 or 75 ohm.



**THREE**

a combined coax and electric connector option with six electric contacts for handling power and signal on interfaced equipment

**FOUR**

The Coax connectors feature a high depth rating and fully harness the rugged quality



**FIVE**

dependable and rugged connectivity solution for underwater and harsh marine environment applications



**OIL RESISTANT**

---



**FLAE RESISTANT**

---



**HALOGEN FREE**

---



**COLD RESISTANT**

---



**ABRASION RESISTANT**

---



**OZONE RESISTANT**

---



**UV RESISTANT**

---



**MICROBE RESISTANT**

---



**MUD RESISTANT**

---



**WATER RESISTANT**

---

**OVER 20 YEARS**

OF SPECIAL CABLE AND CUSTOM-MADE CABLE / CONNECTORS MANUFACTURING

WE CAN TURN YOUR DESIGN INTO A REAL OBJECT.

# OUR TRANSPORTATION



# THANK YOU

---

FOR YOUR ATTENTION  
LOOK FORWARD TO COOPERATING WITH YOU



[www.underwaterconn.com](http://www.underwaterconn.com)



[sales@underwaterconn.com](mailto:sales@underwaterconn.com)



Jackiefanonline88



Tel:+86 18501648956



Whatsapp: +86-18501648956



specialcable